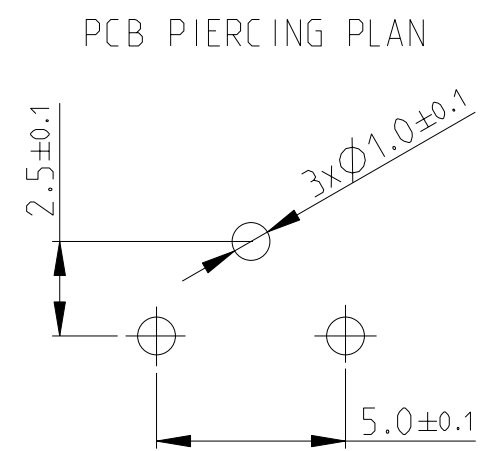
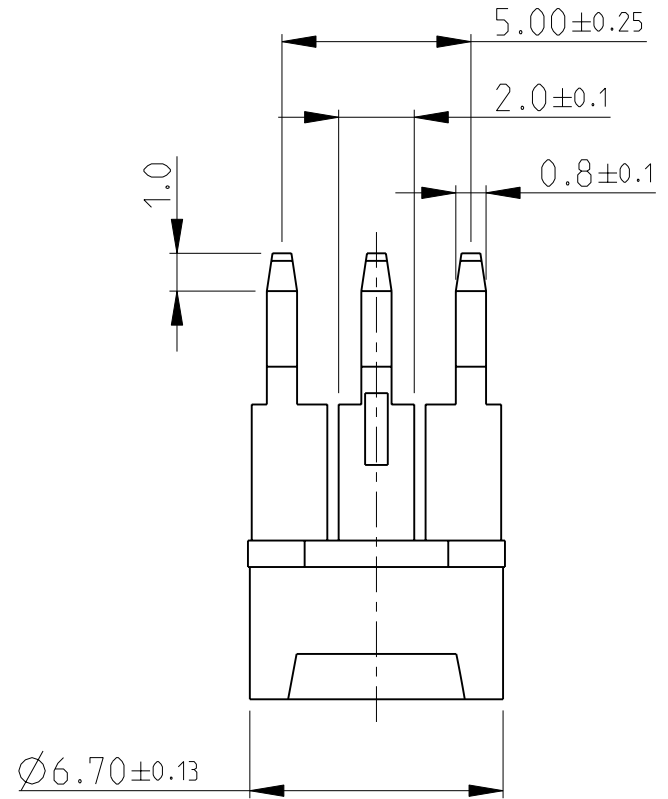


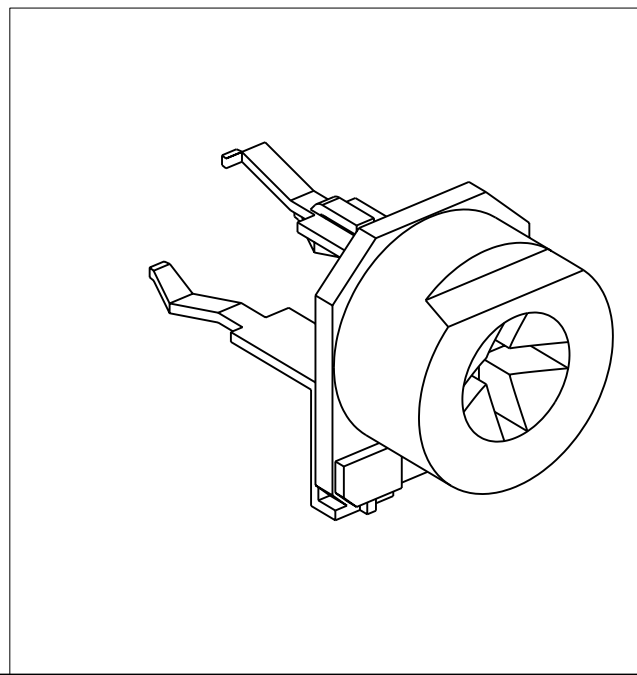
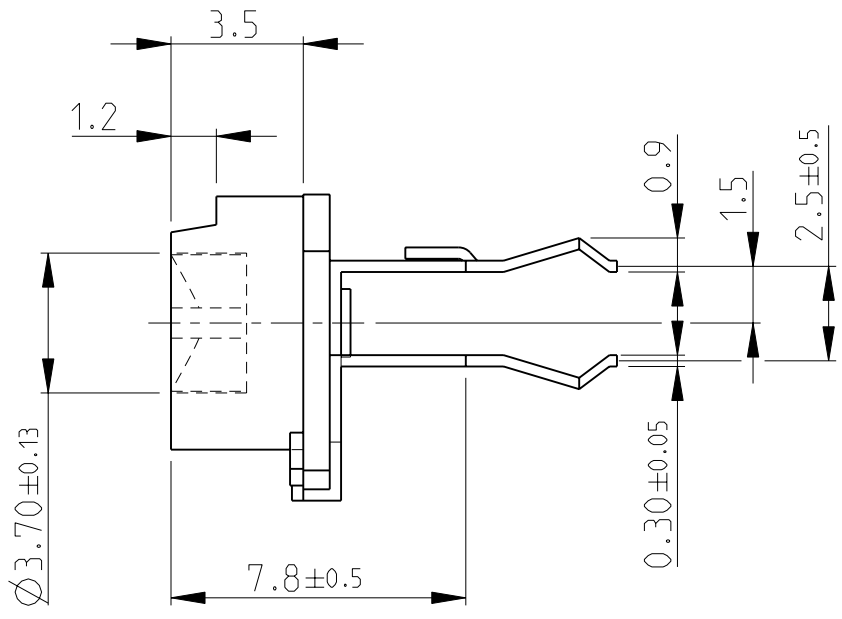
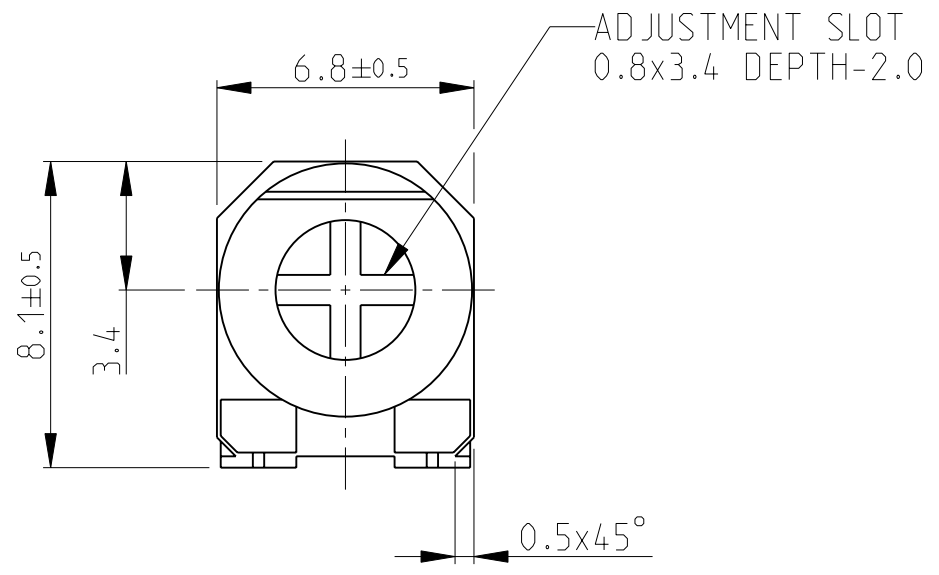
THIS DRAWING IS UNPUBLISHED. RELEASED FOR PUBLICATION 2008
 © COPYRIGHT 2008 BY TYCO ELECTRONICS CORPORATION. ALL RIGHTS RESERVED.

LOC		DIST		REVISIONS			
P	LTR	DESCRIPTION		DATE	DWN	APVD	
	BA	NEW RELEASE		29-JUL-08	SM	St.P	



FOR FURTHER INFORMATION SEE DATA SHEET FOR 416 SERIES-ECONOMY TRIMMERS

RoHS Compliant



<small>THIS DRAWING IS A CONTROLLED DOCUMENT FOR TYCO ELECTRONICS CORPORATION IT IS SUBJECT TO CHANGE AND THE CONTROLLING ENGINEERING ORGANIZATION SHOULD BE CONTACTED FOR THE LATEST REVISION.</small>		DWN	SUBHASH	29-JUL-08	Tyco Electronics Corporation Dorcan, Swindon, SN3 5HH							
DIMENSIONS: mm		CHK	PRAKASH	29-JUL-08								
		APVD	STEPHEN.P	29-JUL-08								
TOLERANCES UNLESS OTHERWISE SPECIFIED: 0 PLC ±0.5 1 PLC ±0.2 2 PLC ±0.1 3 PLC ± 4 PLC ± ANGLES ±5°		PRODUCT SPEC	-					NAME	ECONOMY TRIMMERS SERIES 416P			
MATERIAL -		FINISH -		APPLICATION SPEC	-		RESTRICTED TO	-				
CUSTOMER DRAWING				WEIGHT	-		SIZE	A3	CAGE CODE	00779	DRAWING NO	©=1623894
				SCALE	5:1		SHEET	1	OF	1	REV	BA